

# TESA TPS 300 / 500 / 1000 Motorised Setting Benches

These motorised benches are specially made for display setting as well as for calibrating 2-point shop tools used to measure both internal and external dimensions up to 1000 mm.



- ✓
- 0,001 mm
- Linear 1,5 + L (mm) / 300 µm
- 1 µm
- Holding force 240 N
- 100/240 AC – 1,5 A 50/60 Hz
- RS 232
- +10 to +40°C
- 10 to +40°C
- ✓
- Shipping packaging
- Identification number
- Inspection report
- Declaration of conformity

**Benefit**

A single bench can replace a wide number of setting standards such as gauge blocks or setting rings.

**Technical Data**

		Internal mm/in	External mm/in	mm	kg
02130001	TPS 300	0,1 ÷ 305 (0.04 ÷ 12)	40 ÷ 345 (1.6 ÷ 13.5)	610 x 300 x 270	75
02130002	TPS 500	0,1 ÷ 508 (0.04 ÷ 20)	40 ÷ 548 (1.6 ÷ 21.5)	820 x 300 x 300	90
02130003	TPS 1000	0,1 ÷ 1016 (0.04 ÷ 40)	40 ÷ 1056 (1.6 ÷ 41.5)	1330 x 340 x 340	240
<b>On request</b>	TPS 1500 mm, 2000 mm, 3000 mm				
<i>Provided with the following accessories:</i>					
02160038	Power supply 80 – 240 V, 50 – 60 Hz				
	Rubber feet (3) acting as vibration inhibitors				
02160027	AL300003 adapter mounted on the mobile stop				

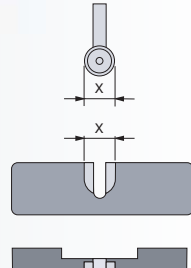
All given maximum permissible errors for a metrological characteristic (MPE) are valid for a temperature of 20° ± 0,5° C and relative humidity of 50 ± 5%.

**Optional Accessories  
For Bore Gauges  
– TESA Veribor**

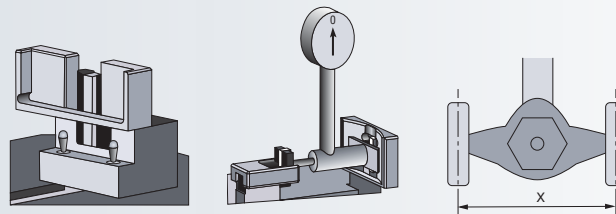


Application range 4,5 ÷ 50 mm

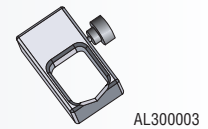
No	=	mm	x
02160020	A7547	4,5 ÷ 6	Ø 4,5
02160021	A7548	6 ÷ 12,5	Ø 5,8
S21050003	A7527	12 ÷ 25	Ø 9,5
02160023	A7559	25 ÷ 50	Ø 17,5



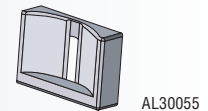
Application range 50 ÷ 550 mm



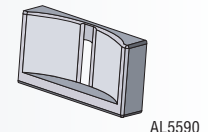
No	=	mm	x
02160024	AL30055	50 ÷ 150	30 ÷ 55
02160025	AL5590	150 ÷ 300	55 ÷ 90
02160026	AL90125	240 ÷ 550	90 ÷ 125
02160043	AL120-170		120 ÷ 170
02160044	AL170-220		170 ÷ 220



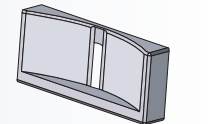
AL300003



AL30055



AL5590

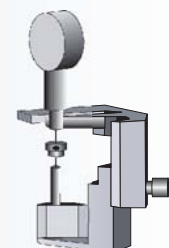


AL90125

Each bench is supplied with AL300003 adapter.

**– TESA YA**

No	=	mm
02160028	A7750-A7751-A7752	6 ÷ 12,5

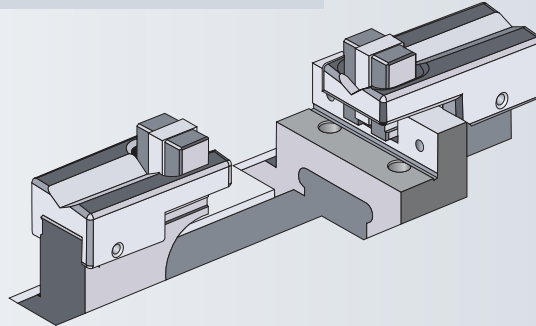


**For IRA 2 and ETALON Caliper Gauges**

*Internal measuring*

			mm
<b>02160030</b>	A300005	10 ÷ 150	

Requires 2 items.

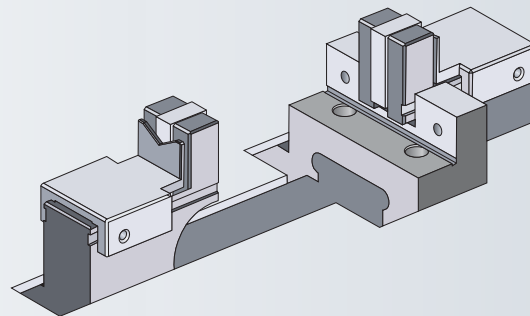


**For ETALON Caliper Gauges**

*External measuring*

			mm
<b>02160029</b>	A300000	40 ÷ 60	

Requires 2 items.

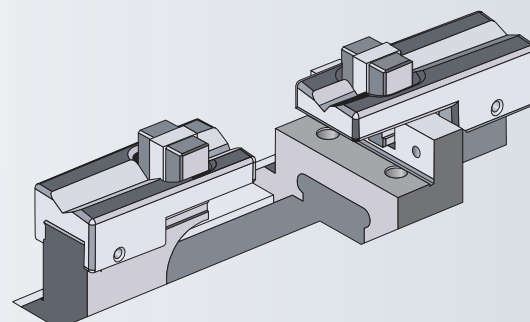


**For TESA INOTEST**

*Comparator gauges with 2-point contact for internal and external measuring*

			mm
<b>02160031</b>	A300004	50 ÷ 1500	

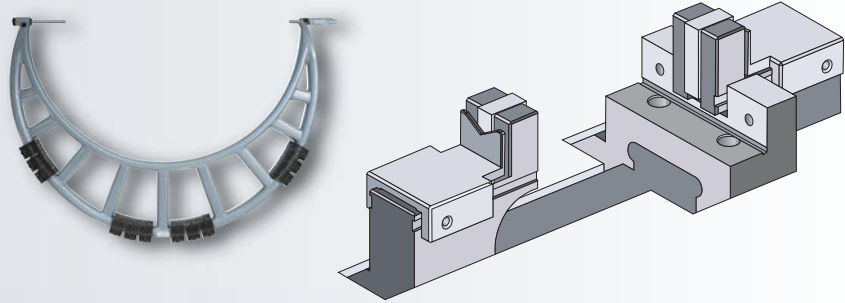
Requires 2 items



**For External Micrometers**

02160029	A300000	40 ÷ 1500 mm

TPS 300 requires 1 item, TPS 500 and 1000 need 2 items.



**For Lever-Type Dial Test Indicators**

01639007	Measuring support with articulated arm	

For any other shop tool, please ask your local TESA sales representative.



**For Dial Gauges**

02160035	A300001-A300002	10 ÷ 150 mm

